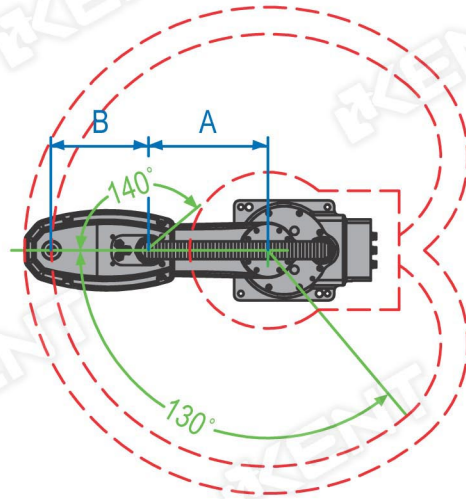


(Patent # : HK1174481, ZL 2012 2 0462193.9, ZL 2016 2 0096329.7, ZL 2017 2 0392009.0)

**KENT Scara Robot to replace worker for load / unload parts in pad printing automation complete solution**



## FEATURES

- Simple control, user-friendly operation
- Fast job change, no robotic expert needed
- Fast and accurate cycle time
- Rigid construction
- Touch panel control, simple sequence
- CCD camera positioning or quality inspection

## SPECIFICATIONS

Model :	KSR-400	KSR-500
Type :	SCARA Robot	
Axis :	4	
Arm Length : Arm A + Arm B	225 mm + 175 mm	270 mm + 230 mm
Operation Range : Arm A	+/- 130°	
Arm B	+/- 140°	
Z-Axis	150 mm	
R-Axis	+/- 360°	
Maximun speed : Arm A+B	4,200 mm/s	5,000 mm/s
Z-Axis	1,300 mm/s	
R-Axis	2,500 mm/s	
Payload :	1 kg (Max. 3 kg)	
Repeatability : (X,Y,Z)	+/- 0.02 mm	
Machine weight :	14 kg	16 kg

### KENT ROBOTIC AUTOMATION (CAN/HK) CO., LTD.

(Hong Kong) Tel: 852-2424 1899  
 (Zhaoqing) Tel: 0758-8512 888  
 (Dongguan) Tel: 0769-8777 2010  
 (Shanghai) Tel: 021-6254 4210  
 (Wuxi) Tel: 0510-8522 0330  
 (Tianjin) Tel: 022-2795 8926

Email: info@kent.com.hk  
 Email: kentgy@kentchina.com  
 Email: kentsg@kentchina.com  
 Email: info@kent-pp.com.cn  
 Email: kentsh@kent-pp.com.cn  
 Email: kenttj@kent-pp.com.cn



Management System  
 ISO 9001  
 ISO 14001  
 www.tuv.com  
 ID 9105098022

